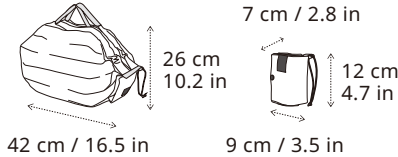




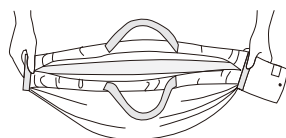
○Specifications

Products	Size	Volume	Capacity	Material	Functions
Shupatto Insulated Bag 20 L		20 L	10 kg 22 lb	Outside / Polyester (Water Repellent) Inside / Aluminum Metallized Film Handle / Polyester	Water Repellent  Basic Insulation 

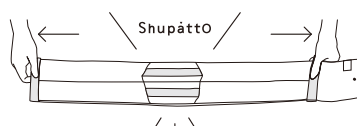
Made in China

○How to Fold Shupatto

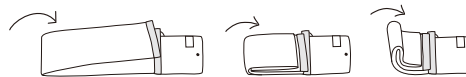
- Shupatto Insulated Bag 20 L



Hold the tapes of both ends and ...



Pull



Fold in half three times



Close the button

○Precautions for Use

- Children should not use this product without supervision.
- This is a simple insulated bag. Do not leave food in the bag for a long period of time. The food could spoil.
- The insulating effect varies depending on the usage conditions.
- The bag is not waterproof. Be aware that the inside and outside of the product could become wet during use.
- If moisture remains, mold could form. Dry the bag thoroughly after use.
- Do not use the bag near an open flame or in high temperatures.
- Do not hang this bag for too long with heavy objects inside.
- This bag can be damaged when dragged or with sharp objects inside.
- Some color loss on this bag may be caused when it has just begun to be used and when in contact with wet objects.
- Do not use this product outside of its intended purpose.

○Product Care

- Do not wash.
- If the bag gets dirty, dip a soft cloth into a diluted synthetic detergent (laundry detergent, soap, etc.), tightly wring the cloth, and then wipe the surface of the bag by tapping.
- Fold this bag down immediately after use.
- If the pleats do not fold in neatly, fold it after straightening the pleats along the pleat lines.